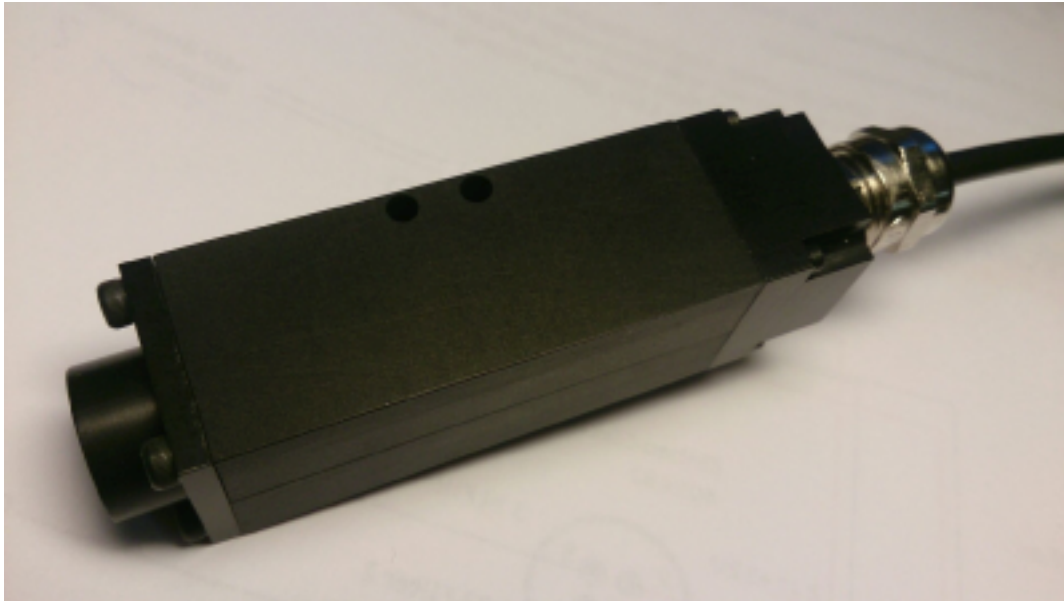


WDR, global shutter, color camera
Logarithmic CMOS sensor



Ultra compact camera design
True logarithmic color sensor
global shutter
WDR with 140 dB
USB 2.0 output
S-mount lens interface

Worlds smallest Wide-Dynamic-Range Color Camera

Key features

Ultra compact: 21x21x98mm

Color sensor

Global shutter for capturing fast movements

Native WDR: intrinsic Wide Dynamic Range

- no knee points, no multiple exposures, no tricks
- 140dB in a single shot

True logarithmic pixel,

thanks to its patented Solar Cell pixel setup
output: USB 2.0

Applications

Welding process

Seams inspection

Laser cutting

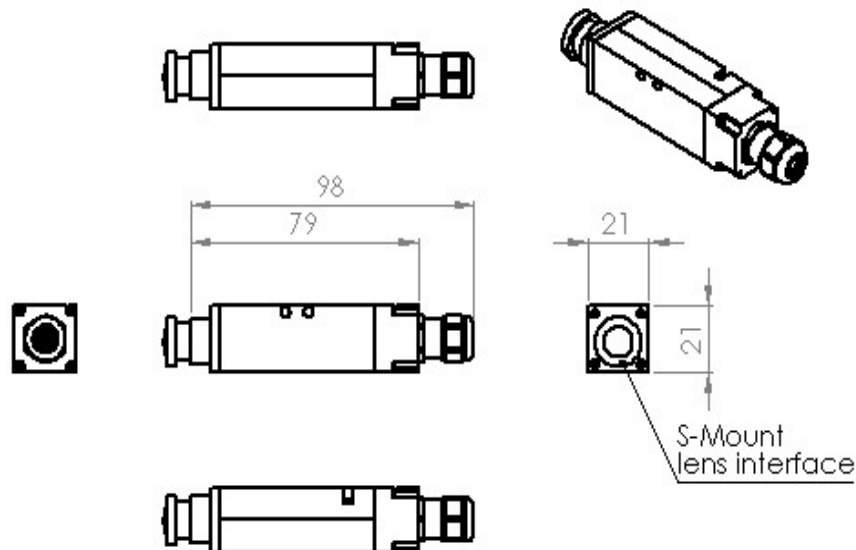
Surveillance cameras

Automotive vision

The WVS-51 is the world smallest analog color camera with the Native Wide Dynamic Range™ technology inside. The camera offers a color output signal with a 1280 x 1024 resolution. The sensor technology uses a solar cell pixel structure offering a true logarithmic response versus optical illumination without saturation with more than 140 dB true dynamic range.

Technical Specifications

Camera size	20x20x79 mm (g8 with cable gland)	Optical interface	S-Mount M12x0.5mm
Sensor	NSC1003 2/3"	Supply voltage	5-12Vdc
Array format	1280x1024 pixels	Video output	USB 2.0
Array size	8.7mm x 7.0mm	Cabling	1.5m cable with USB A
Pixel format	6.8 µm	Power consumption	via USB
Color filter array	Color Bayer	Operating temperature	0-80 °C
Optical window	Glass with IR filter	Housing	Black anodised aluminium
Dynamic range	140 dB, logarithmic	Weight	60 gr.
Readout mode	Global shutter		
Spectral range with IR filter	450nm – 670nm		



LABOTRON

Labotron Heinz Sewald
Adalbert-Stifter-Str. 31
D-82538 Geretsried

Tel. +49 8171 9269808
Fax +49 8171 9269809
info@labotron.net
www.labotron.net